

Illustration 1

g01047277

1. Slide the rubber cover aside in order to expose the connection.
2. Remove nut (1) and the washer. Remove cable assembly (2). Remove nut (5) and the lockwasher. Remove cable assembly (3) and (8) .
3. Remove bolts (6). Remove the cable assembly.
4. Remove electric starting motor (7) from the flywheel. Lower the electric starting motor around oil drain hose (4) .

## Installation Procedure



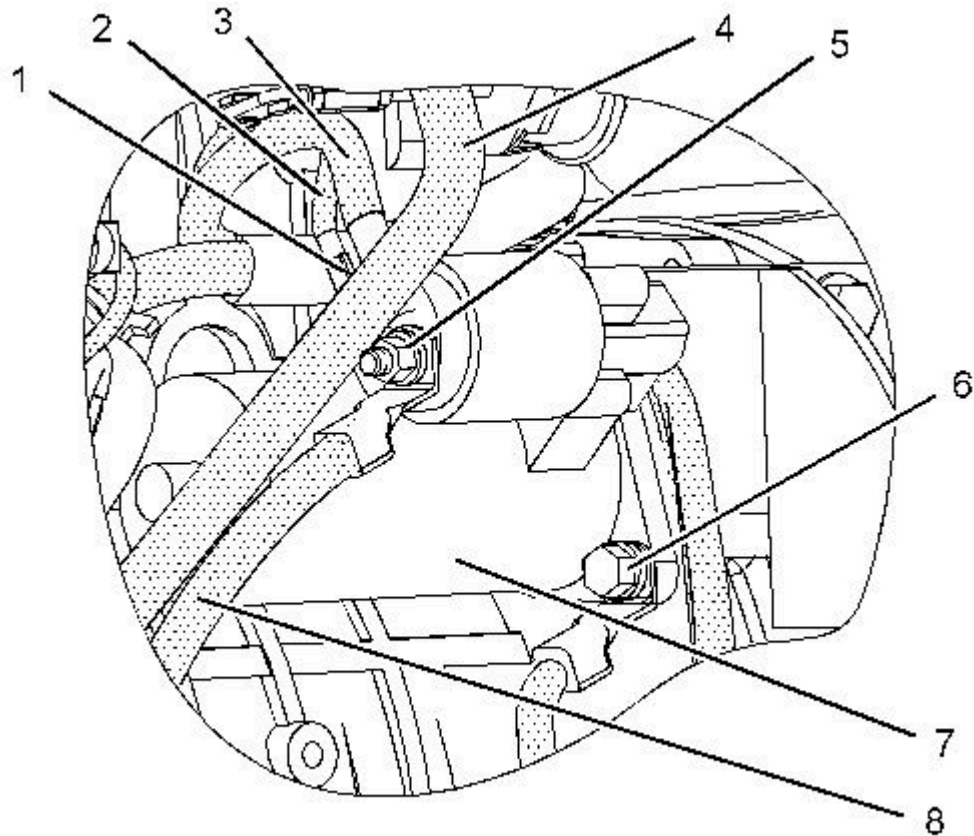
**Accidental machine starting can cause injury or death to personnel working on the machine.**

**To avoid accidental machine starting, turn the battery disconnect switch to the OFF position and remove the key. If the machine is not equipped with a battery disconnect switch, disconnect the battery cables from the battery and tape the battery clamps.**

**Place a do not operate tag at the battery disconnect switch location to**

**inform personnel that the machine is being worked on.**

---



---

Illustration 2

g01047277

1. Raise the electric starting motor around oil drain hose (4). Install electric starting motor (7). Install bolts (6) and the cable assembly.
2. Install cable assembly (3) and (8). Install the lockwasher. Install nut (5). Torque nut (5) to  $21 \pm 4$  N·m ( $15 \pm 3$  lb ft).
3. Install cable assembly (2). Install the nut (1) and the washer.
4. Slide the rubber cover into position in order to protect the connection.

**End By:** Connect the battery. Refer to Disassembly and Assembly, "Battery and Battery Cable - Separate and Connect".

---